



**Instructions for Building  
Blue Penguin Nest Box**  
Based on Plan Prepared by Vince Waanders  
Modified by Mike Rumble, March 2015

**BEFORE YOU START!!!**

- READ these instructions CAREFULLY before you put EACH box together, and re-read them BEFORE you move to the next Step.
- Do NOT move to the next step until you have checked the one you have just completed to make sure it is correctly finished.
- Check you have these materials:
  - Box pieces (9): 1 Tunnel Side, 1 Tunnel Roof, 1 Box Roof, 1 Uncut Box Side, 1 Cut Box Side, 1 Box Front, 1 Box Back, 1 Box Lid, and 1 Lid Stopper
  - Nails: 8 short nails, and 23 long nails
  - Glue: Construction glue (cartridge) – should be with the supervisor
- WARNING: Make sure you use the correct size of nails in the right areas. We don't want penguins to get hurt from nails sticking out!!!

**Get your box checked as soon as you finish building it  
then give your box a NAME and add a SHORT story or a picture**

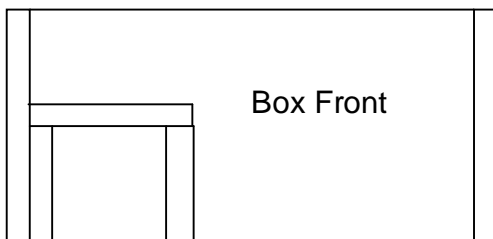
**TWO Very Important Messages!!!**

**Left and Right Tunnels**

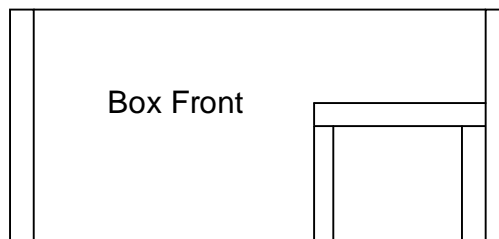
We need nest boxes with the entrance tunnel on the LEFT and the RIGHT sides. All you have to do is make sure the side of the side of the Box Front with "Inside" written on it in IS placed INSIDE the box. The box packs also have been set up to help achieve that requirement.

**Gluing and Nailing**

The Tunnel Sides and Tunnel Roof are the only parts where GLUING and NAILING is required



Tunnel on LEFT Side

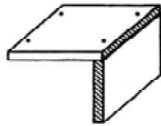


Tunnel on RIGHT Side

**NOTE: All nail holes are pre drilled. Place nails in pre drilled holes only!**

**2 long nails**

Insert nails into tunnel roof, before gluing and nailing it to the tunnel side

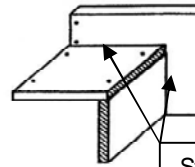


**Step 1:**

NOTE: Make sure tunnel side and roof DON'T overlap at this end so that they will fit flush with the edge of the box front

**4 short nails  
5 long nails**

Step 1: Insert 4 short nails INSIDE the box front where it will join the tunnel area, and 5 long nails OUTSIDE where the box front will join both box sides

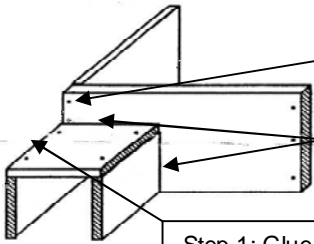


**Step 2:**

Step 2: Add glue to edges of tunnel roof and tunnel side and where they join the box front BUT don't nail them in place until Step 3.

**2 long nails (for tunnel roof)**

Step 2: Nail the box front to the box side and THEN the ends of the tunnel roof

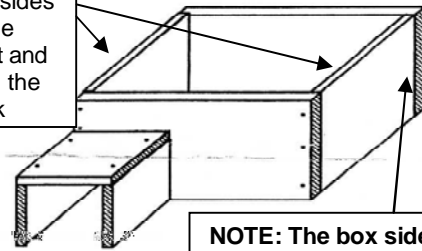


**Step 3:**

Step 1: Glue and nail the tunnel roof to the box side

Nail the box sides to the front and then the back

**6 long nails**

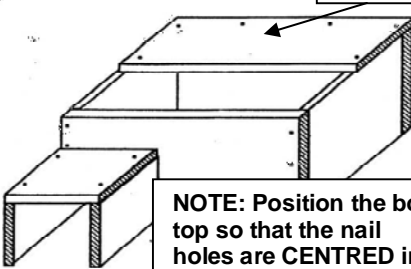


**Step 4:**

NOTE: The box sides MUST be nailed INSIDE the box back

**8 long nails**

Box top

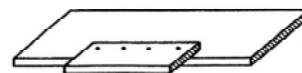


**Step 5:**

NOTE: Position the box top so that the nail holes are CENTRED in the MIDDLE of the edge on the box back

**4 short nails**

Nail the Lid Latch to the underside of the box lid

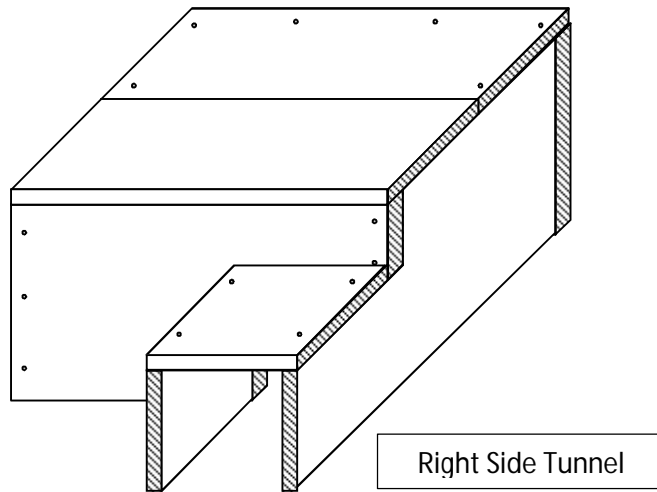
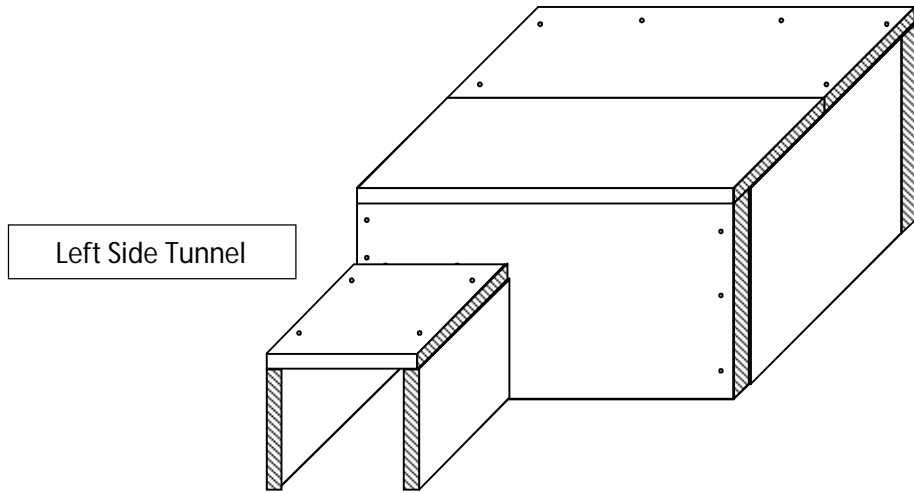


Personalize your box!! Grab a pen and name your box....

**Step 6:**

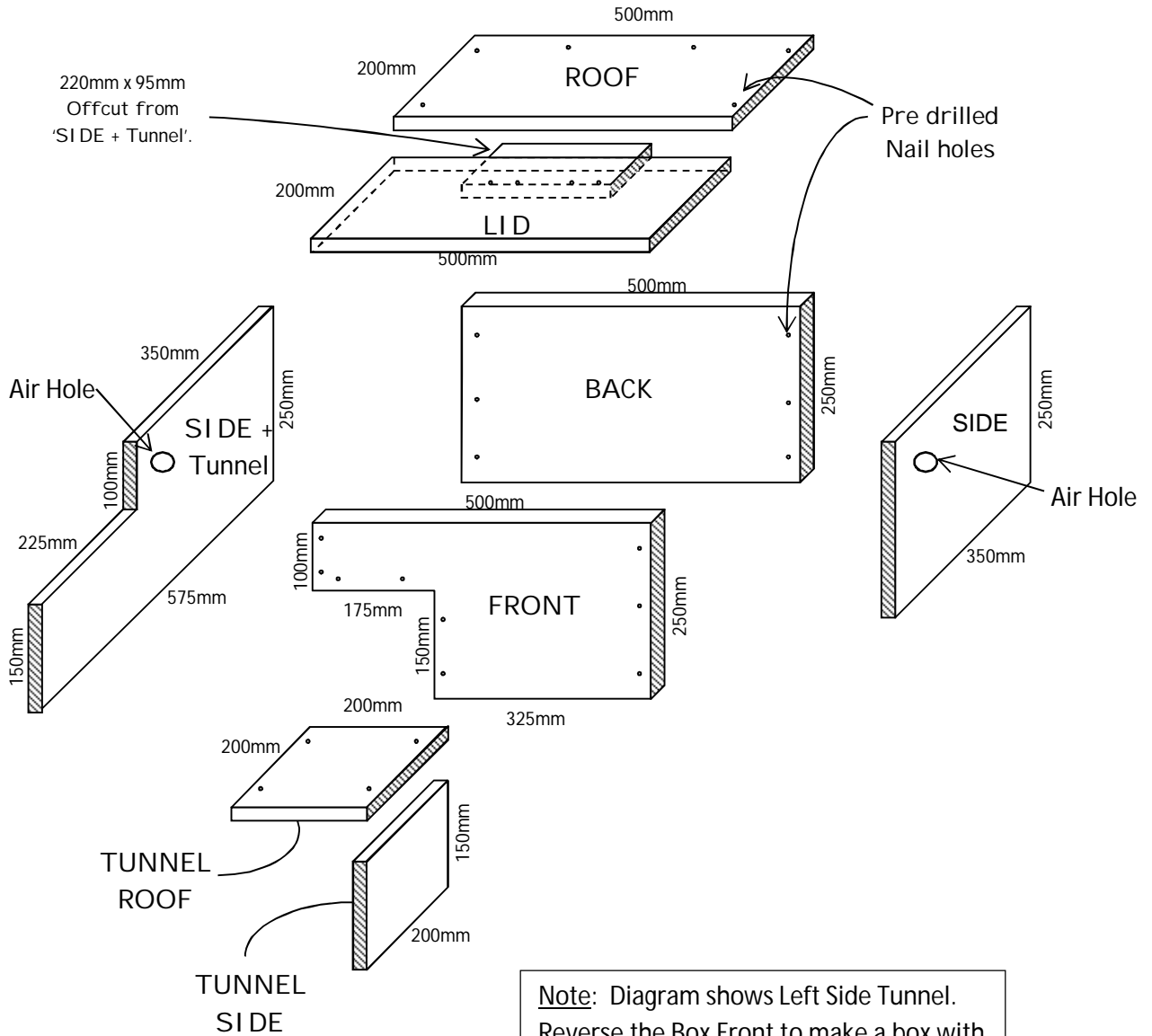
# Little Penguin Nest Box

Modified design as used on Maticu/Somes Island  
Modifications developed by Vince Waanders March 2011



# Little Penguin Nest Box

Modified by Vince Waanders March 2011



Note: Diagram shows Left Side Tunnel. Reverse the Box Front to make a box with a Right Side Tunnel

ALL TIMBER: <b>25mm thickness.</b> H3 Treated. Rough sawn. Pinus Radiata.	
ROOF	500mm x 200mm
LID	500mm x 200mm
FRONT	500mm x 250mm
BACK	500mm x 250mm
SIDE	350mm x 250mm
SIDE - Tunnel	575mm x 250mm
TUNNEL ROOF	200mm x 200mm
TUNNEL SIDE	200mm x 150mm

<b>TIMBER REQUIREMENTS:</b>		
	Timber for 1 Box:	Timber for 30 boxes:
<b>250mm</b> x 25mm	2025mm	60.75 meters
<b>200mm</b> x 25mm	1300mm	39.00 meters
<b>150mm</b> x 25mm	220mm	06.60 meters

## Estimated Cost

	<i>Crichton ITM Building Centre, Paraparaumu. Ph: (04) 298 9726. Prices given on 16 March 2011 <b>Approximate prices( include GST)</b></i>	<i>Cost for 30 boxe.</i>
250mm x 25mm	\$ 7.49/m	\$455.02
200mm x 25mm	\$ 3.85/m	\$150.15
150mm x 25mm	\$ 2.70/m	\$ 17.82
75mm Flat head galvanised nails. <b>5kg = approx 990 nails.</b>	\$ 39.00/5kg	\$ 39.00
50mm Flat head galvanised nails. <b>500g = approx 151 nails.</b> <b>5kg = approx 1510 nails.</b>	\$ 14.00/500g \$ 66.60/5kg	\$ 66.60
	<b>Total for 30 boxes:</b>	<b>\$728.59</b>
	Total for 1 box:	\$ 24.29

## LBP Boxes: Trimming

Box Back: 6 evenly spaced nail holes (see box plan)

Box Roof: 8 evenly spaced nail holes – 4 where it joins the box back and 2 for each box side

Short Box Side (no tunnel): 1x25mm air hole, no nail holes

Long Box Side (with tunnel): Cut out 225x100 section, 1x25mm air hole, no nail holes

**Note: 1. The off-cut from the box side becomes the Lid Latch**

Box Lid: No nails

Box Front: Cut out 175x150 section and 9 nail holes (see box plan)

**Note: 1. Half the box fronts to be LEFT-side Tunnel; half to be RIGHT-side.**

**2. Adding the word “Inside” on the inside of each box front will help the box builders.**

Tunnel Side: No nails

Tunnel Roof: 4 nail holes (two on each side)

Lid Latch: 4 nail holes off-set in pairs (latch made out of off-cut from box side)